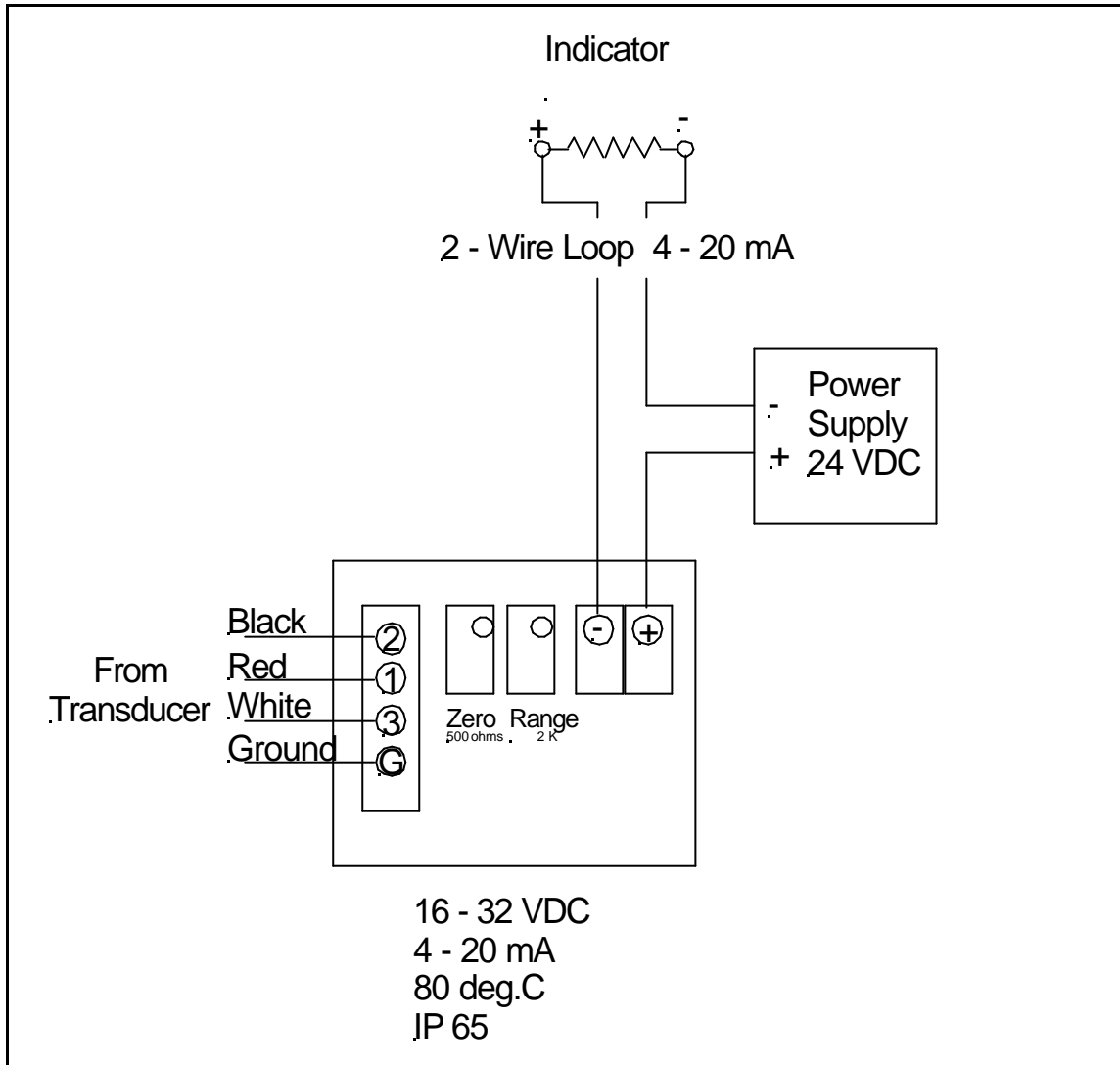


**Operating
Data
Instructions**

**For
SSR 400**

RESISTANCE TO CURRENT TRANSMITTER

Wiring for 4-20 Output



The SSR 100 signal conditioner module is mounted onto a level transducer such as the SR series, which have a reed chain resistive output.

The conditioner accepts the 3 – wire (potentiometer type) signal and converts the raw resistance signal from the measuring transducer into an industry standard 4-20mA current signal.

The SSR 400 is a loop powered in a two – wire configuration on the 4-20 Current Output.

The SSR 400 is available installed in an aluminum enclosure.

IP 65 enclosure

Temperature range - -20 to 80 deg. C

Max voltage – 16 to 32 VDC