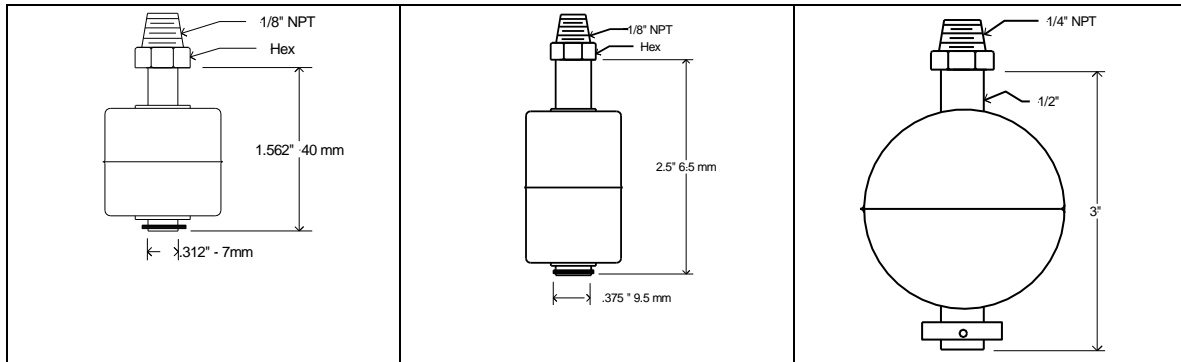


Single Activation - Float Level Switches

Used for High- or Low-Level Alarm applications

- ✓ Small, Medium or Large sizes
- ✓ Install in top or bottom of a tank
- ✓ Variety of stem and float material combinations
- ✓ 1/8" or 1/4" NPT connection
- ✓ High resistance to vibration and shock
- ✓ Switch state easily changed from N/O to N/C
- ✓ 100% of our switches are tested before shipping
- ✓ Stainless Steel floats are pressure tested and weighed
- ✓ Explosion Proof model available
- ✓ Custom controls available for all our switches
- ✓ Powerful 240 Volt AC/DC @ 0.5 amps resistive – carry 2

Small Size



Small Size Part Number

Probe Material	SS Float	Buna Float	PP Float	Kynar Float
Stainless Steel	SVS12	SVB12	SVP12	
Brass	BVS12	BVB12	BVP12	
Kynar (PVDF)				KVK12

Medium Size Part Number

Probe Material	Buna Float
Stainless Steel	SRB12

Large Size Part Number

Probe Material	SS Float	Buna Float	PP Float
Stainless Steel	SXS25	SXB25	SXP25
Brass	BXS25	BXB25	BXP25

Floats Operating Range

	PSI	Temperature	Sp. Gr.	Weight
316 Stainless Steel	500 psi	- 40 to 300 F	Std. is – 0.72	7.6 g
Closed Cell Buna	200 psi	- 40 to 225 F oil	0.47	5.42 g
Kynar (PVDF)	100 psi	100 F	0.7	6.5 g
Polypropylene	100 psi	100 F	6.5	6.5 g